



“4+N” INTERFACE FOR 1 ANALOGUE LINE

1332/40



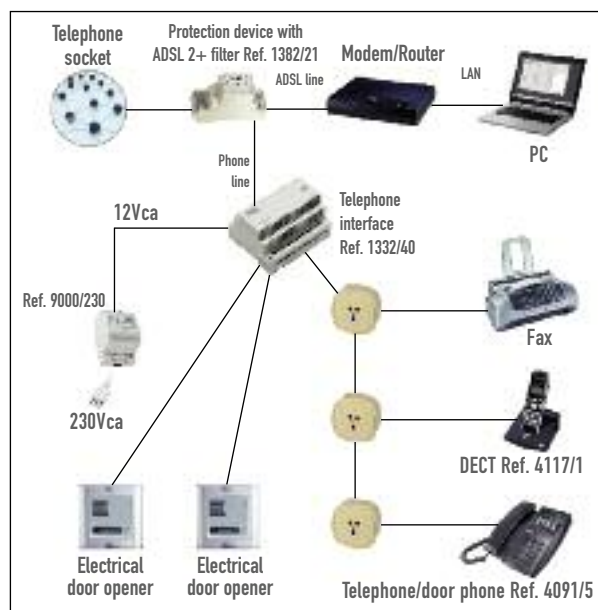
DESCRIPTION

The new door phone interface replaces 1332/30 and provides new functions and installation solutions. 1332/40 is mechanically ready to be fitted on DIN bar (6U) and can be easily installed in an electric panel. The interface is ready for connecting one or two “4+n” columns (with electronic or traditional call) to a local telephone line and to an analogue telephone. Powered by the same transformer as the door units, the device may be connected to two door panels and power them; alternatively, the system may be constructed in traditional manner using a relay box ref. 788/51. Separate inputs are available, which means that the device can manage calls in different manner identifying the source of the call. When combined with an Urmet Domus door telephone, all functions are integrated in one device: switching on the staircase lights or cameras, opening the door and making telephone calls. Many functions can be customised and adapted to the needs of each user: adjustable relay energising time, door phone ringer time, immediate external line engagement when handset is picked up, sending call confirmation tone to door unit.

Furthermore, a reference country may be selected to automatically activate default settings.

MAIN FUNCTIONS

- Product type “4+n” interface for analogue line
- Connection to telephone line: 2 wires (ae, be)
- Telephone connection: 2 wires (au, bu)
- Connection to door phone line: 2 x “4+n” (CA, +6, 2, 1A, ATT)
- Connectable telephones (max.): 5 (standard system with unified three-pole sockets)
- Distance between telephones (max.): 300 m
- Actuator relays: 2
- Relay contact power: 1A, 63Vac
- Power: 12Vac (ref. 9000/230)
- Standby/max. consumption: 3/10VA
- Dimensions (W x H x D): 105 x 65 x 90 mm

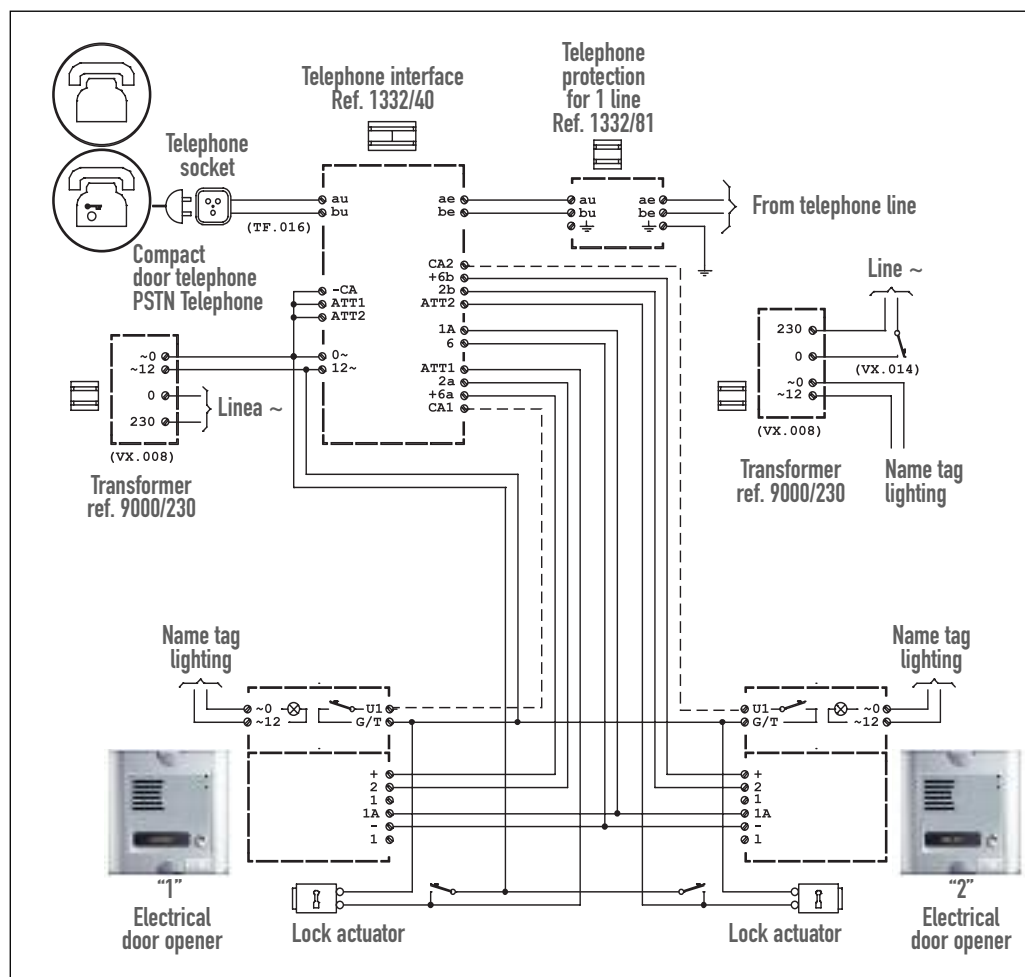


Practical example:

2 door unit powered directly by the interface and one telephone line with ADSL



Connection of telephone interface to 2 door units. Single, differentiated call from door units.



1332/40 Advantages and functions

- Door telephone compatibility: Ref. 1332/1, 4091/1, 4091/5 Urmet Domus (using dedicated buttons on terminal).
- Door opening and auxiliary services, such as: switching on staircase lights, cameras, etc.
- Activatable using a single button, regardless of door unit which may be call.
- Possibility of traditional connections with relay box 788/51.
- Possibility of connection without relay box and only one power unit.

Customisations

- Relay energising times
- Door phone ringer hold time
- Immediate line engagement when handset is picked up
- Sending call confirmation to door unit
- Automatic activation of settings by selecting a reference country.